

GOVERNEMENT COLLEGE OF ENGINEERING, KARAD  
(An Autonomous Institute of Government of Maharashtra)

Dist. Satara, Maharashtra, India, PIN: 415124  
Tel.: 91- 02164- 271711, 272414, 272415(P), 271712(R)  
Fax No.: 91- 02164- 271713  
Web: <http://www.gcekarad.ac.in>



No.-CEK/Mech/SAE-Baja/2019 / 1255

DATE - 10.12.2019

To,

Addresses overleaf(3)

**Subject - "Quotation for material, manufacturing and supplying of Hub and Knuckle For BAJA 2020"**

Dear Sir,

With reference to above, I have to request you to kindly quote your rates for below mentioned material for SAE Baja Mechanical Engineering Department of this Institute so as to reach this office on or before 16/12/2019 till 3:00 PM.

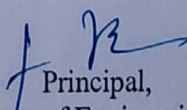
The details are as given below -

Sr. no.	Particular and Specification	Quantity
1.	Front Knuckle:(as per our design & drawing attached herewith)(Annexure A) Material- Al7075- T6 Ionised(Hard chroming finish) M10 Holes	2
2.	Front Hub:(as per our design & drawing attached herewith)(Annexure B) Material- Al7075- T6 Ionised(Hard chroming finish) PCD 4 holes/ Φ 156 M10 Holes	2
3.	Rear Knuckle:(as per our design & drawing attached herewith)(Annexure C) Material- Al7075- T6 Ionised(Hard chroming finish) M10 Holes	2
4.	Rear Hub:(as per our design & drawing attached herewith)(Annexure D) Material- Al7075- T6 Ionised(Hard chroming finish) PCD 4 Holes/ Φ 156 M10 Holes	2
5.	Sterring Arm:(as per our design & drawing attached herewith)(Annexure E) Material- Al7075- T6 (Oil quenched, aged)	2

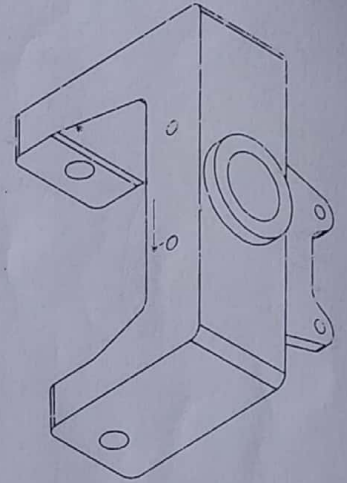
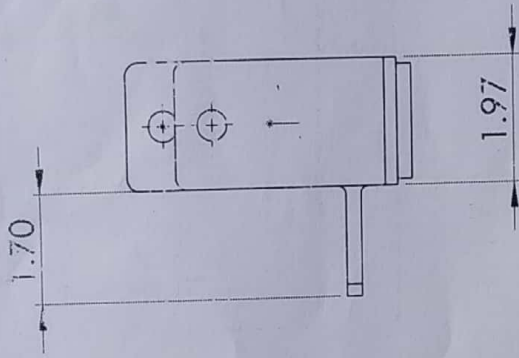
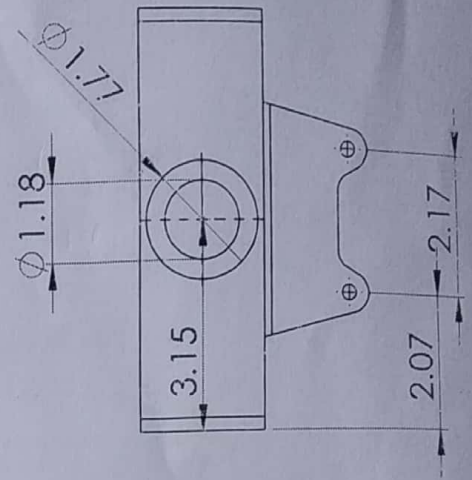
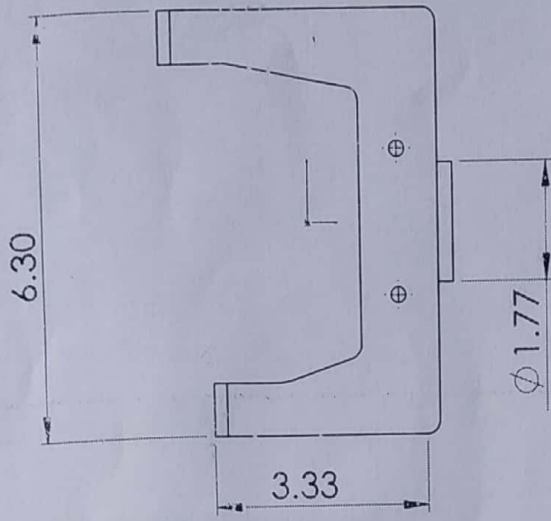
The quotation should be sent to "The Principal, Government College of Engineering, Karad" in sealed envelope superscripted with word "Quotation for material, manufacturing and supplying of Hub and Knuckle For BAJA 2020," due on 16/12/2019 .

**Terms & Condition**

1. Quotation validity for at least 45 days from the date of opening.
2. Delivery at F.O.R. MECHANICAL Department, Govt. College of Engineering Karad.
3. Delivery period 4 weeks from date of supply order.
4. 100% payment after full delivery and satisfactory acceptance.
5. Warranty 12 months or more.

  
Principal,  
Govt. College of Engineering, Karad

3



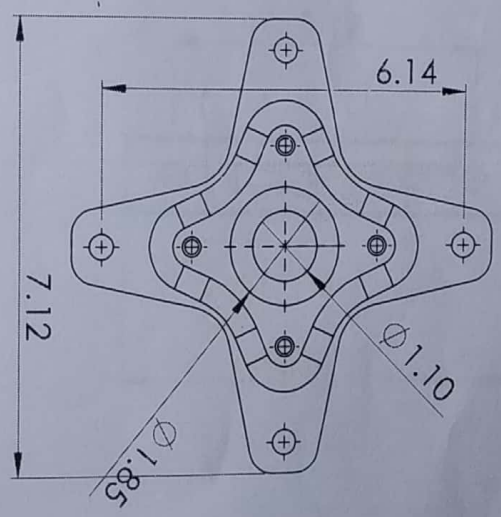
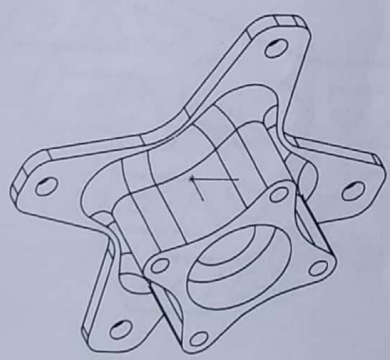
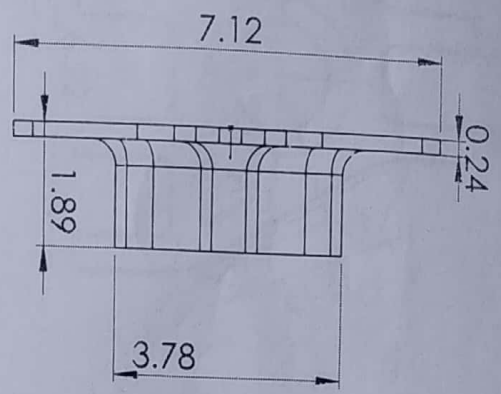
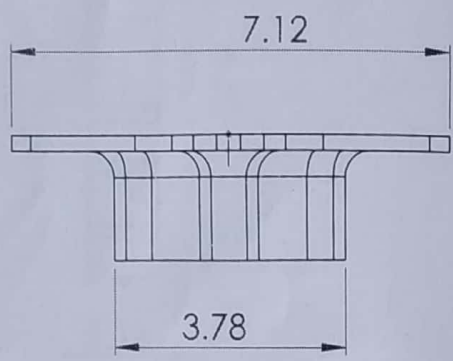
*Handwritten signature*

?

Annexure - A

A

B



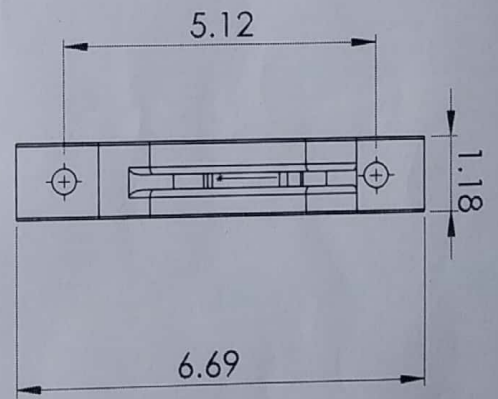
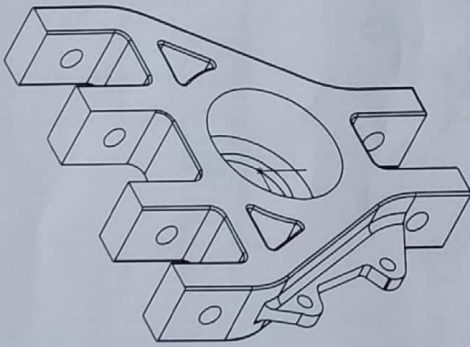
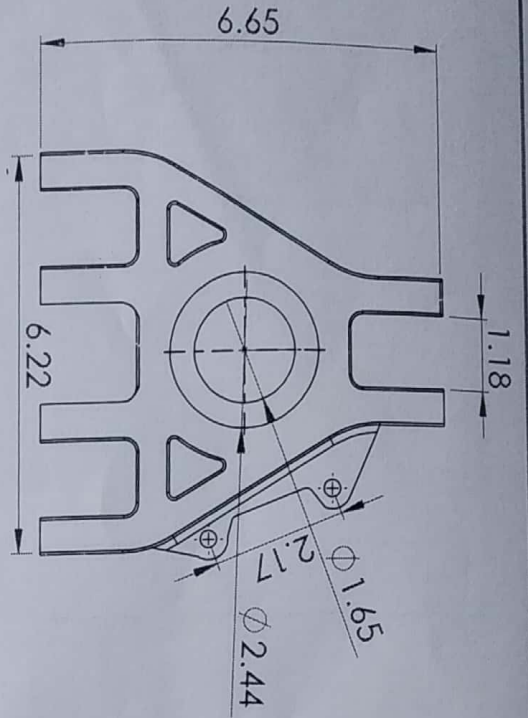
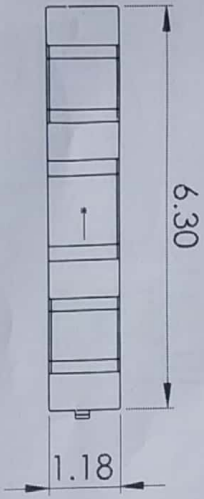
Annexure B *BM*

A

B

A

B



Annexure C *pc*

A

B

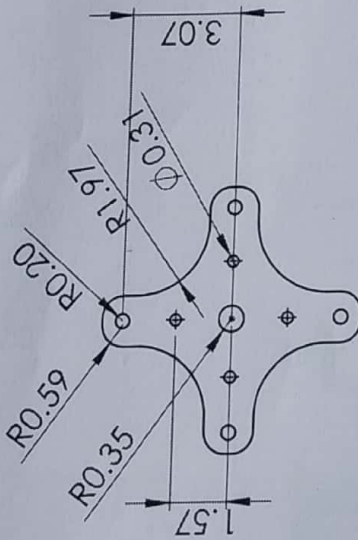
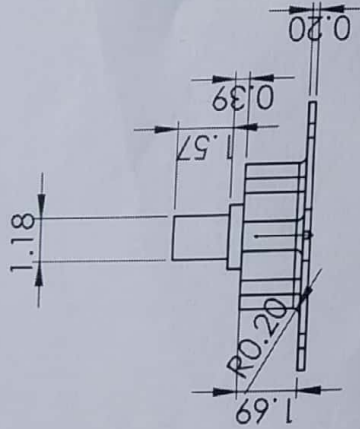
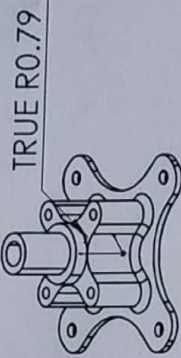
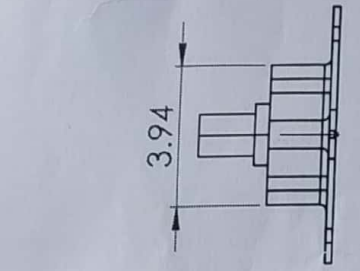
C

2

1

B

A



1

2

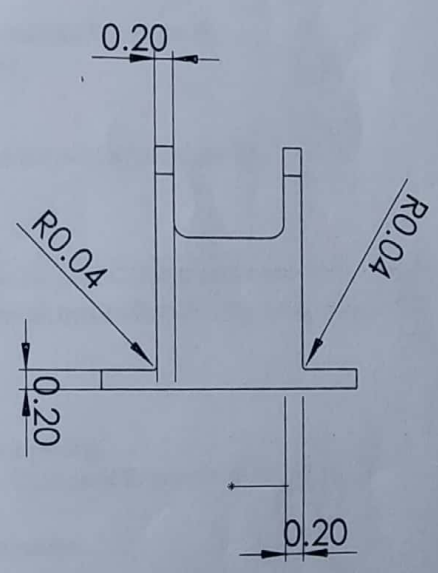
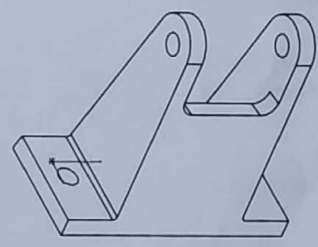
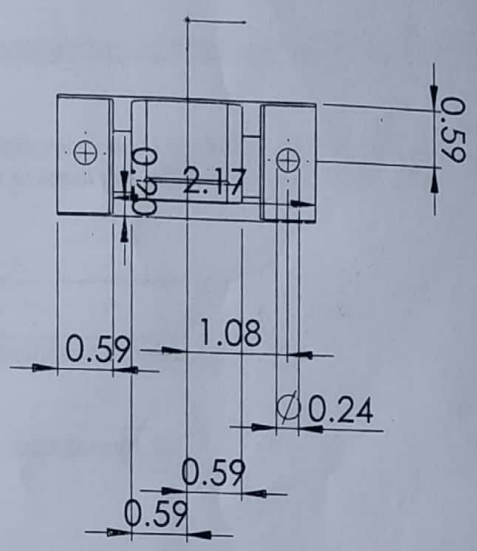
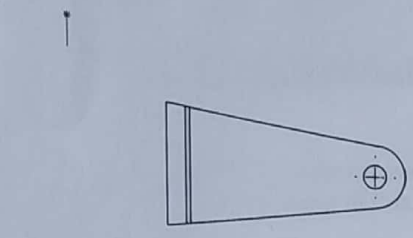
Annexure D

B

A

A

*Handwritten signature*



*Handwritten signature or initials.*

Annexure E